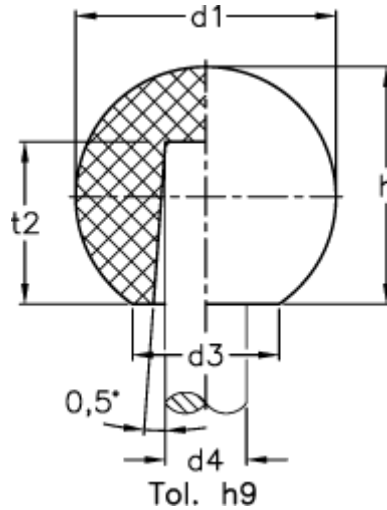


Article number: 20134200

Description: E+G Ball knob DIN 319-KT-40-B12-M

Measures



d1	= 40
d3 approx.	= 22
d4	= B12
h	= 37.0
t2	= 22